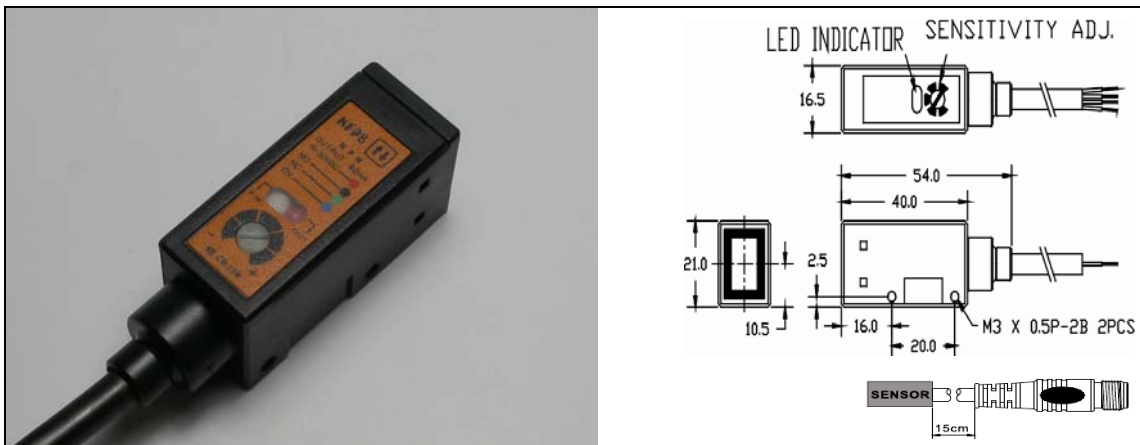
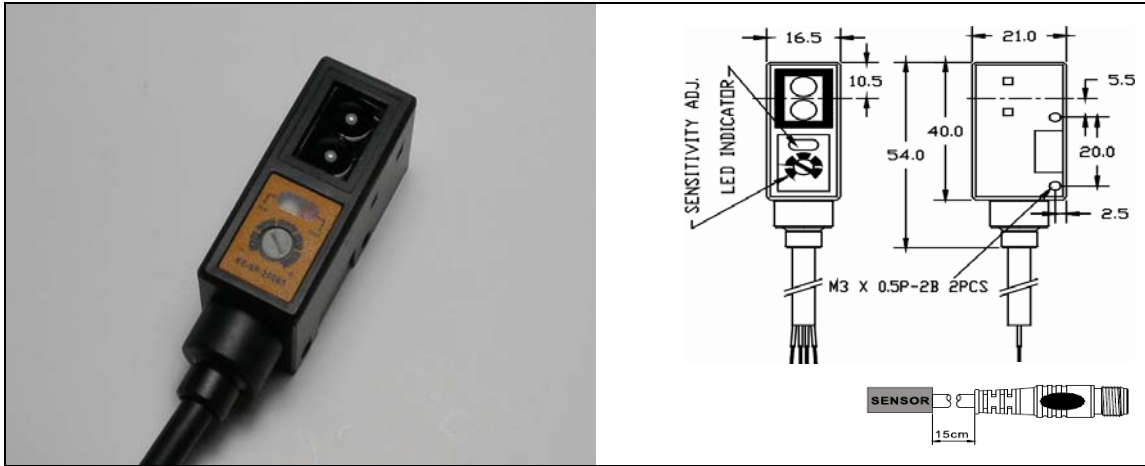


KE Series

- 👍 Available with Horizontal type and Vertical type.
- 👍 Tiny and with built-in amplifier, with light on or dark on function.
- 👍 Comprehensive circuit protection function, equipped with circuit and polarity protection.
- 👍 Equipped with sensitivity adjuster, excellent sensitivity, short response time.
- 👍 Various detection distance, 15 cm, 30cm, 2m etc.



Model number	Switching output	Sensing method	Sensing distance	Connecting method	
KE-SP200N	NPN	Through-beam	2M	Pre-wired 2M Cable	
KE-SP200N-U				Cable with M12 plug	
KE-SP200P	PNP			Pre-wired 2M Cable	
KE-SP200P-U				Cable with M12 plug	
KE-SR200N	NPN			Retro-reflective	Pre-wired 2M Cable
KE-SR200N-U					Cable with M12 plug
KE-SR200P	PNP				Pre-wired 2M Cable
KE-SR200P-U					Cable with M12 plug
KE-CR30N	NPN	Diffuse-reflective	30cm		Pre-wired 2M Cable
KE-CR30N-U					Cable with M12 plug
KE-CR30P	PNP				Pre-wired 2M Cable
KE-CR30P-U					Cable with M12 plug
KE-CR15N	NPN		15cm	Pre-wired 2M Cable	
KE-CR15N-U				Cable with M12 plug	
KE-CR15P	PNP			Pre-wired 2M Cable	
KE-CR15P-U				Cable with M12 plug	



Model number	Switching output	Sensing method	Sensing distance	Connecting method	
KE-SP200NS	NPN	Through-beam	2M	Pre-wired 2M Cable	
KE-SP200NS-U				Cable with M12 plug	
KE-SP200PS	PNP			Pre-wired 2M Cable	
KE-SP200PS-U				Cable with M12 plug	
KE-SR200NS	NPN	Retro-reflective		Pre-wired 2M Cable	
KE-SR200NS-U				Cable with M12 plug	
KE-SR200PS	PNP			Pre-wired 2M Cable	
KE-SR200PS-U				Cable with M12 plug	
KE-CR30NS	NPN	Diffuse-reflective	30cm	Pre-wired 2M Cable	
KE-CR30NS-U				Cable with M12 plug	
KE-CR30PS	PNP			Pre-wired 2M Cable	
KE-CR30PS-U				Cable with M12 plug	
KE-CR15NS	NPN	Diffuse-reflective		15cm	Pre-wired 2M Cable
KE-CR15NS-U					Cable with M12 plug
KE-CR15PS	PNP				Pre-wired 2M Cable
KE-CR15PS-U					Cable with M12 plug

Item	Specifications
Operating voltage	DC 10~30V · ripple ≤ 10%
Control output	NPN NO & NC · PNP NO & NC
Response time	< 5ms
Load current	≤ 200mA
Sensitivity adjustment	Sensitivity adjuster
Light source	Infraed LED
Operation indicator	Red LED
Circuits protection	Reversed polarity & Short circuit protection
Enclosure protection	IEC IP65

Ambient temperature & humidity range	Operating : -20 ~ 55°C / RH 35 ~85% (with no icing or condensation)
Ambient illumination	Lamplight < 3000 Lux / Sunlight < 10000 Lux
Housing material	Case : ABS / Lens : Acrylic
Accessories	Mounting bracket · Screws · Adjustment screwdriver · Reflector(only for Retro-reflective)