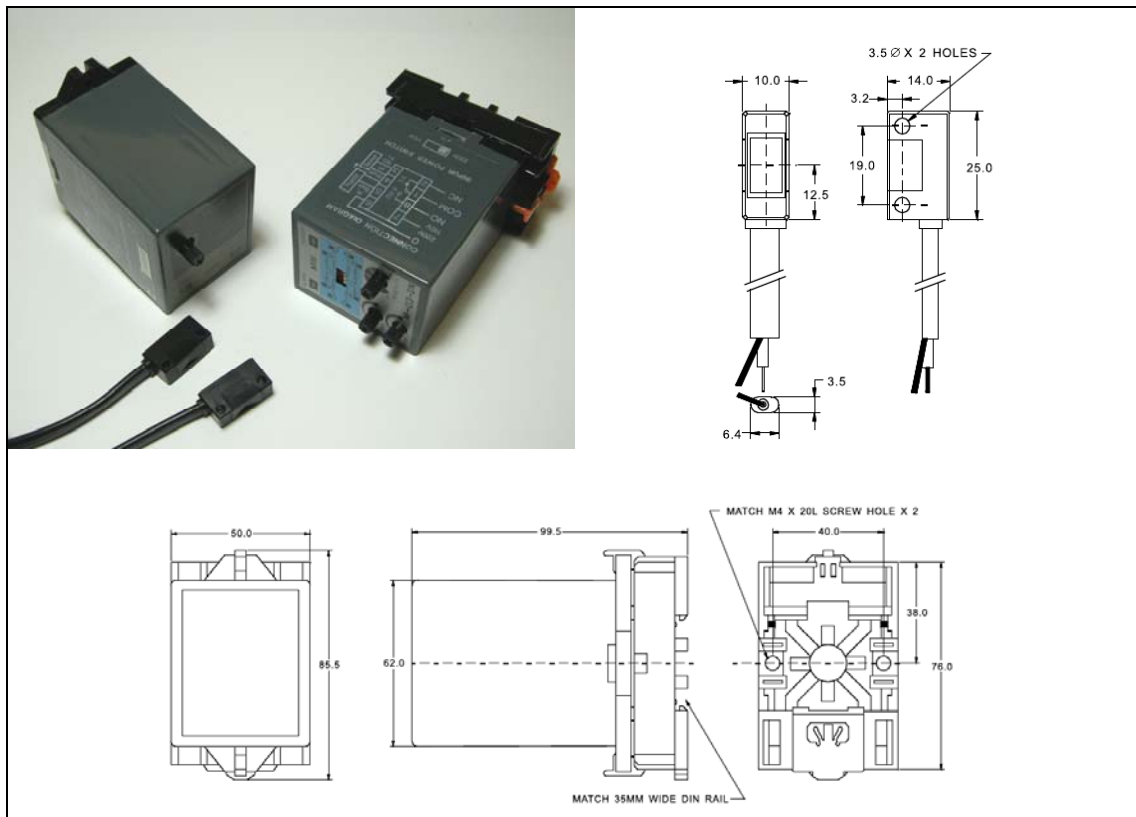


M Series

- 👍 Amplifier separation type, equipped with action indicator and power supply lamp.
- 👍 Provide stable power supply to sensor (DC24V, 100mA), and convert non contact signal to relay output (250VAC, 3A), simplify the wiring.
- 👍 Equipped with M-03-DN inside the same body which has ON delay, OFF delay, ONE shot- delay functions combination.
- 👍 The sensors detection probe applied special light filtration materials lens to avoid the disturbance of foreign scattering light, and upgrade the stability and accuracy of detection signal.



Item	Model number			
	M-01N	M-01P	M-03-N	M-03-DN
Operating voltage	DC 12~24V · ripple ≤ 10%		AC 110 or 220V 50/60 Hz	
Consumption power	< 40mA		< 4VA	
Control output	NPN or PNP		250VAC · 3A · SPDT relay contact	
Response time	< 5ms		< 20ms	Input < 5ms Output: decided by settings
Delay function	Non-delay			On · Off · One shot-delay 0 ~ 5 sec

Sensitivity adjustment	Sensitivity adjuster
Enclosure protection	IEC IP20
Ambient temperature & humidity range	-10 ~ 55°C / RH 35 ~ 85% (with no icing or condensation)

Sensor unit

Model number	SP-200-1	SP-100-1	SP-20-1
Sensing distance	2M	50cm	20cm
Sensing method	Through-beam		
Light source	Infraed LED		

Model number	SP-60-1R	SP-30-1G	SP-150-1
Sensing distance	60cm	30cm	1.5M
Sensing method	Through-beam		
Light source	Red LED	Green LED	Infraed LED

Model number	CR-10-1	CR-15-1
Sensing distance	10cm	15cm
Sensing method	Diffuse-reflective	
Light source	Infraed LED	

Item	Specifications
Enclosure protection	IEC IP62
Ambient temperature & humidity range	Operating : -10 ~ 55°C / RH 35 ~85% (with no icing or condensation)
Ambient illumination	Lamplight < 3000 Lux / Sunlight < 10000 Lux
Housing material	Case : ABS / Lens : Acrylic
Accessories	Mounting bracket 、 Screws