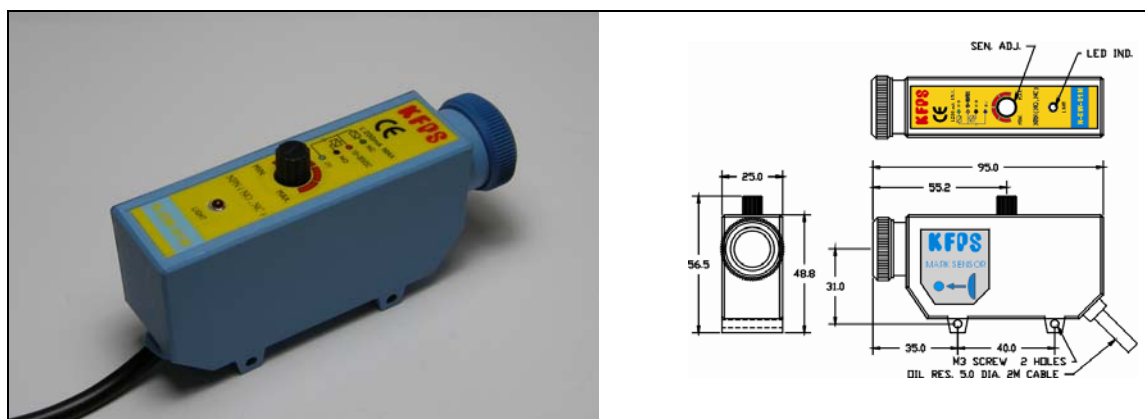
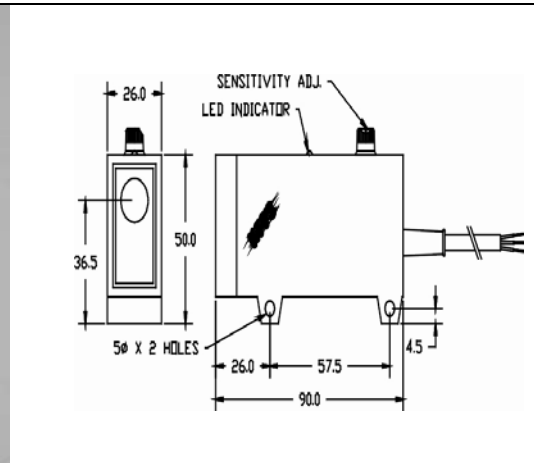


## N Series

- 👉 Unique coaxial retro-reflective design, no impact at the stable detection of marking at the scattering generated by high reflection ration detection surface.
- 👉 Plenty emission light sources with white light, green light and red light for wide application.
- 👉 The designed LED source has adjustable photoelectric circuit structure with extremely long service life and superior resistance to scattering light.
- 👉 N-EW-01N has unique white light LED ignition component by using tailor made electronic circuit and photoelectric system to detect minor shade difference of marking. It can differentiate and analyze easily the colored marking underneath the white lining and read detection easily.



Model number	Switching output	Sensing method	Sensing distance	Light source
N-EW-01N	NPN	Coaxial retro-reflective	8~14mm	White LED
Item	Specifications			
Operating voltage	DC 10~30V 、ripple ≤ 10%			
Control output	NPN NO & NC			
Response time	< 0.5ms			
Load current	≤ 200mA			
Sensitivity adjustment	Sensitivity adjuster			
Operation indicator	Red LED			
Circuits protection	Reversed polarity & Short circuit protection			
Enclosure protection	IEC IP67			
Ambient temperature & humidity range	Operating : -20 ~ 55°C / RH 35 ~ 85% (with no icing or condensation)			
Ambient illumination	Lamplight < 3000 Lux / Sunlight < 10000 Lux			
Connecting method	Pre-wired 2M Cable			
Housing material	Case : PBT / Lens : Acrylic			
Accessories	Screws 、 Adjustment screwdrive			



Model number	Switching output	Sensing method	Sensing distance	Light source
N-EG-01N	NPN	Coaxial retro-reflective	5~10mm	Green LED
N-ER-01N				Red LED
Item	Specifications			
Operating voltage	DC 12~24V、ripple ≤ 10%			
Control output	NPN NO、NPN NC			
Response time	< 5ms			
Load current	≤ 100mA			
Sensitivity adjustment	Sensitivity adjuster			
Operation indicator	Red LED			
Enclosure protection	IEC IP62			
Ambient temperature & humidity range	Operating : -20 ~ 55°C / RH 35 ~85% (with no icing or condensation)			
Ambient illumination	Lamplight < 3000 Lux / Sunlight < 10000 Lux			
Connecting method	Pre-wired 2M Cable			
Housing material	Case : ABS / Lens : Acrylic			
Accessories	Screws、Adjustment screwdrive			