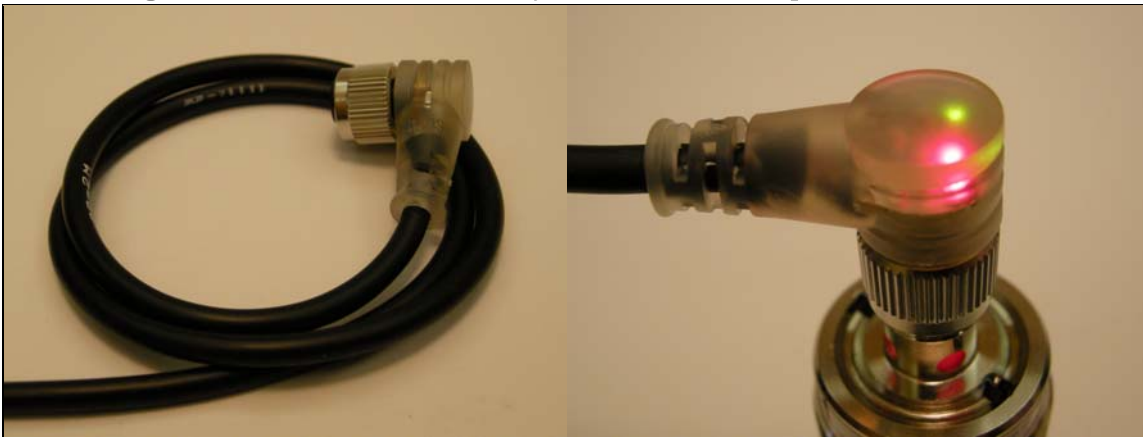
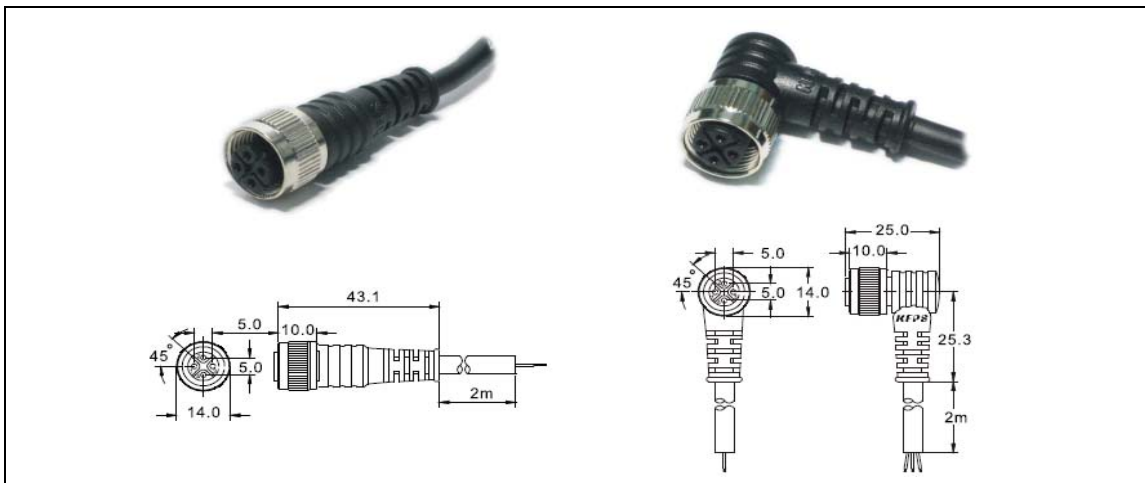


Euro Style Connector Series

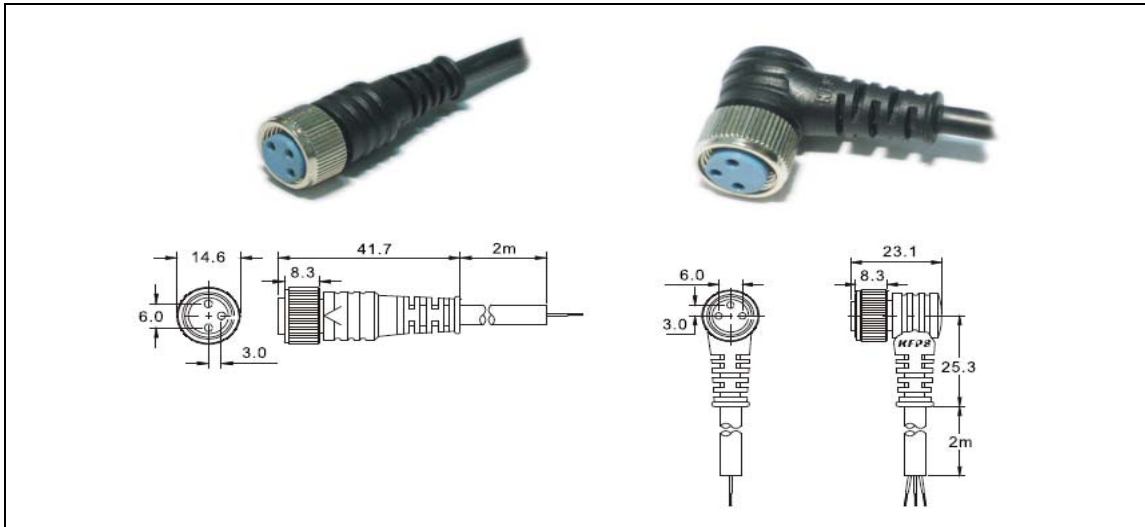
- 👍 IP67 protection structure design.
- 👍 Reliable gold-plated contacts for oxidation resistance, weather resistance, low resistance, providing safety even exposing outdoors.
- 👍 The jacket of control cable applied PVC/PUR oil resistance cable. It will not deteriorate even under oil polluted conditions.
- 👍 Coordinated with wiring system for saving labors to connect sensors. Easy maintenance and replacement.



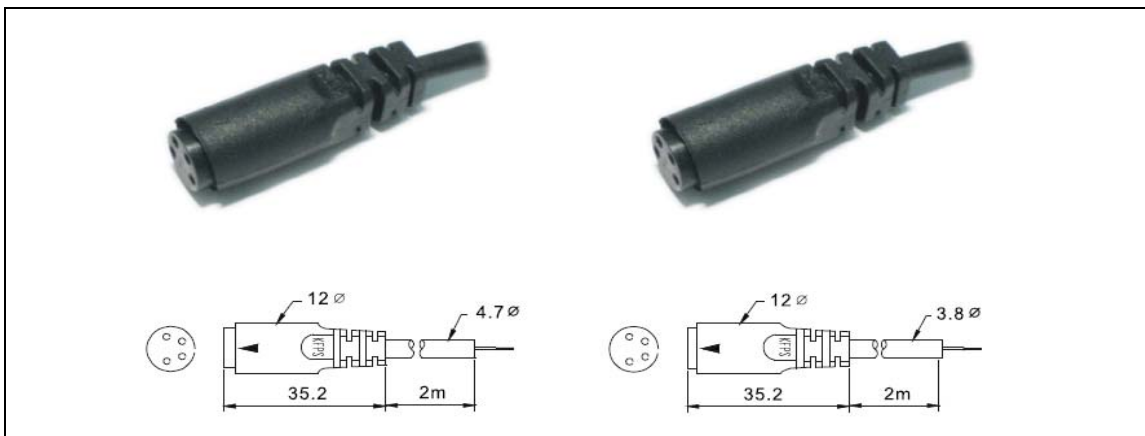
Style	Model Number	Switching Output	LED indicator	Length
4-Pin Euro Right-angle	UV-47N-4PR-2M	NPN NO	Power : Green LED Operation : Red LED	2M
	UV-47N2-4PR-2M	NPN NC		
	UV-47P-4PR-2M	PNP NO		
	UV-47P2-4PR-2M	PNP NC		



Style	Model Number	Voltage Rating	Length
4-Pin Euro Straight	UV50-4P-2M	250V DC	2M
	UV47-2P-2M		
	HI47-2P-2M	250V AC	
4-Pin Euro Right-angle	UV50-4PR-2M	250V DC	
	UV47-2PR-2M		
	HI47-2PR-2M	250V AC	



Style	Model Number	Voltage Rating	Length
3-Pin J-Type Straight	JQ47-3P-2M	250V DC	2M
3-Pin J-Type Right-angle	JQ47-3PR-2M		



Style	Model Number	Voltage Rating	Length
4-Pin C-Type Straight	C47-3P-2M	250V DC	2M
	C38-3P-2M		

❖ Control connecting cable length Optional : 4M、6M、8M、10M❖