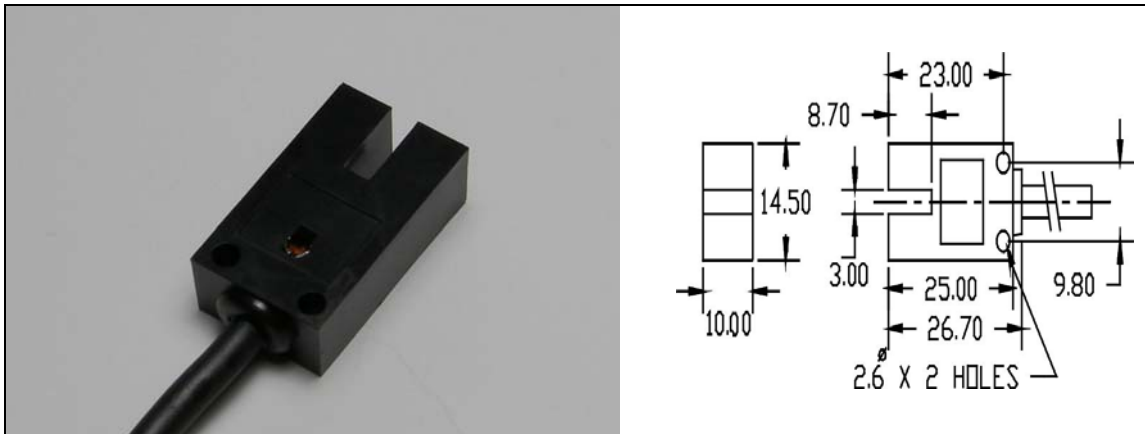
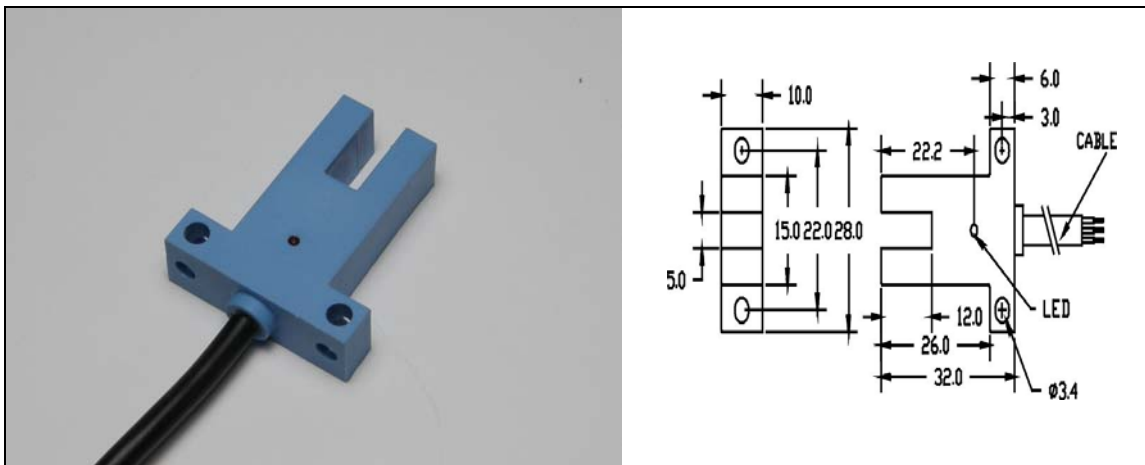


TL-D Series

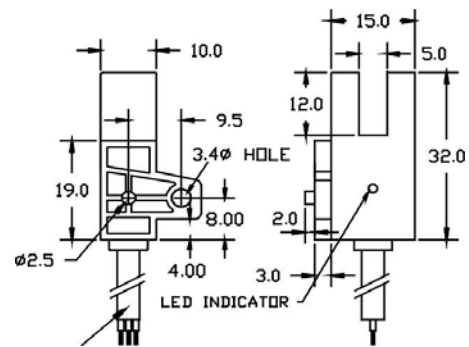
- 👍 **No-touch operation · high response frequency · wide application range.**
- 👍 **Reverse polarity and Swapped signal wires protection.**
- 👍 **High-intensity LED for sending indication.**
- 👍 **Good environmental resistance · all products are CE approved**
- 👍 **High degree of protection up to IP67**



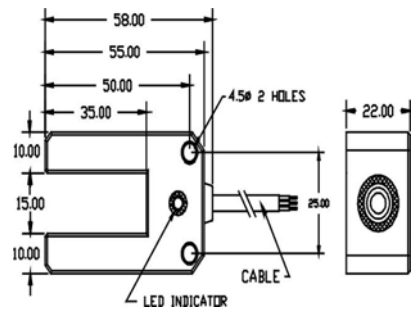
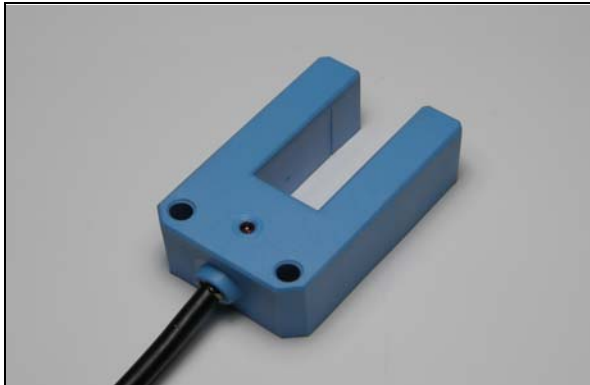
Switching Output	Model Number	Operating voltage	Response frequency	Connecting method
DC 3-Wire NPN NO	TL-D3NE1	DC 10~30V	1500Hz	Pre-wired 2M Cable
DC 3-Wire NPN NC	TL-D3NE2			
Item	Specifications			
Sensing distance	3mm			
Load current	0 ~ 200mA			
Operation indicator	Red LED			
Ambient temperature & humidity range	Operating : -25 ~ 70°C / RH 35 ~95% (with no icing or condensation)			
Housing material	ABS			



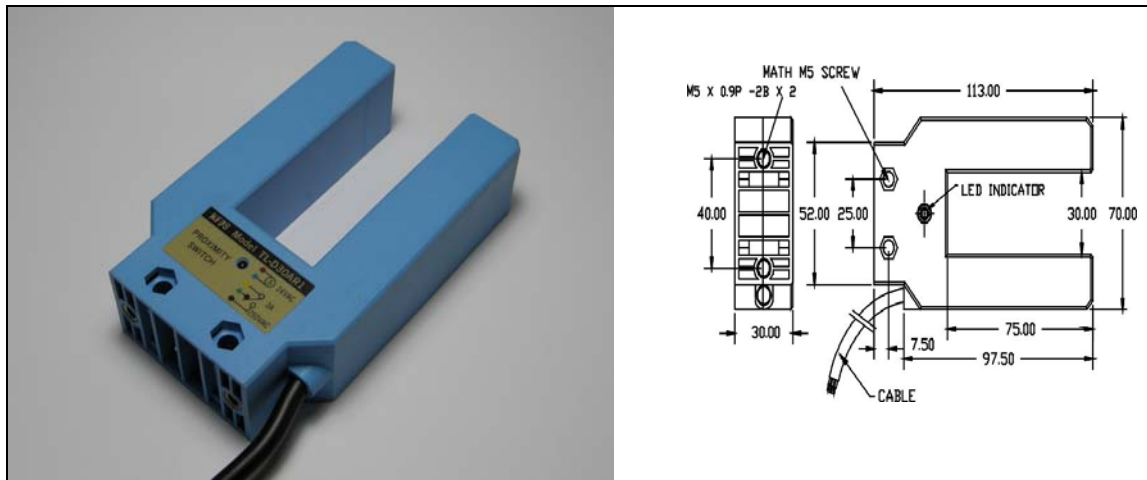
Switching Output	Model Number	Operating voltage	Response frequency	Connecting method
DC 3-Wire NPN NO	TL-D5NE1-T	DC 10~30V	1000Hz	Pre-wired 2M Cable
Item	Specifications			
Sensing distance	5mm			
Load current	0 ~ 200mA			
Operation indicator	Red LED			
Ambient temperature & humidity range	Operating : -25 ~ 70°C / RH 35 ~95% (with no icing or condensation)			
Housing material	PBT			



Switching Output	Model Number	Operating voltage	Response frequency	Connecting method
DC 3-Wire NPN NO	TL-D5LNE1-T	DC 10~30V	1000Hz	Pre-wired 2M Cable
Item	Specifications			
Sensing distance	5mm			
Load current	0 ~ 200mA			
Operation indicator	Red LED			
Ambient temperature & humidity range	Operating : -25 ~ 70°C / RH 35 ~95% (with no icing or condensation)			
Housing material	PBT			



Switching Output	Model Number	Operating voltage	Response frequency	Connecting method
DC 3-Wire NPN NO	TL-D15NE1-T	DC 10~30V	500Hz	Pre-wired 2M Cable
Item	Specifications			
Sensing distance	15mm			
Load current	0 ~ 200mA			
Operation indicator	Red LED			
Ambient temperature & humidity range	Operating : -25 ~ 70°C / RH 35 ~95% (with no icing or condensation)			
Housing material	PBT			



Switching Output	Model Number	Operating voltage	Response frequency	Connecting method
AC 2-Wire SCR NO	TL-D30AR1	AC 24~250V	25Hz	Pre-wired 2M Cable
Item	Specifications			
Sensing distance	30mm			
Load current	5 ~ 300mA			
Operation indicator	Red LED			
Ambient temperature & humidity range	Operating : -25 ~ 70°C / RH 35 ~95% (with no icing or condensation)			
Housing material	PBT			