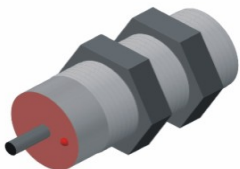
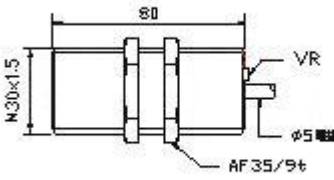
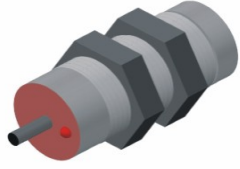
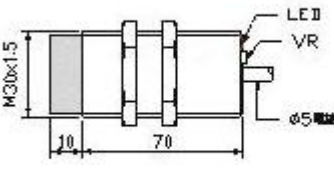


TLK-M30 Capacitive Series

- 👍 Can detect metal, non metal, glass, liquid, plastic, silicone chip, powder... etc... The detected distance varied along closely with the property of factors such as electric ion (electric conductive coefficient or non electric conductive coefficient), moisture content, the volume of the object. These will affect the detection distance accordingly.
- 👍 Very stable, totally not affected by disturbance from inverter.
- 👍 Attached with sensitivity adjuster which can set distance effectively.
- 👍 Available detection distances are 15 ~ 22mm with plenty models.
- 👍 Available with DC type & AC type.

Switching Output	Model Number	Operating voltage	Response frequency	Sensing distance
DC 3-Wire NPN NO	TLK-F30N15E1	DC 12~24V	30Hz	15mm
DC 3-Wire PNP NO	TLK-F30P15E1			
AC 2-Wire NO	TLK-F30A15E1	AC 20~250V	10Hz	

Switching Output	Model Number	Operating voltage	Response frequency	Sensing distance
DC 3-Wire NPN NO	TLK-N30N22E1	DC 12~24V	15Hz	22mm
DC 3-Wire PNP NO	TLK-N30P22E1			

Item	Specifications
Load current	0 ~ 200mA
Operation indicator	Yellow LED

Circuits protection	Short circuit protection
Enclosure protection	IEC IP67
Ambient temperature & humidity range	Operating : -25 ~ 70°C / RH 35 ~85% (with no icing or condensation)
Housing material	PBT
Connecting method	Pre-wired 2M Cable