
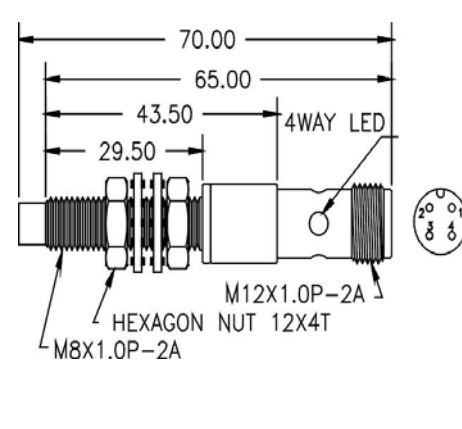



**M8 Series**

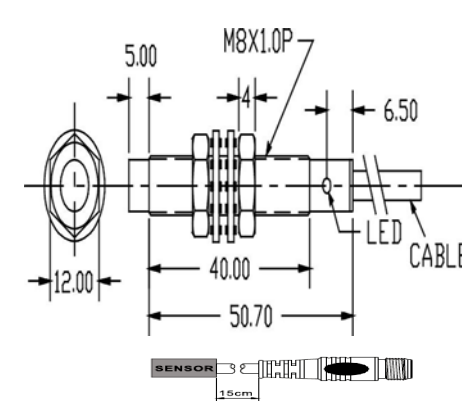
- 👍 **No-touch operation · high response frequency · wide application range.**
- 👍 **Reverse polarity and Swapped signal wires protection.**
- 👍 **High-intensity LED for sending indication.**
- 👍 **Good environmental resistance · all products are CE approved**
- 👍 **High degree of protection up to IP67**



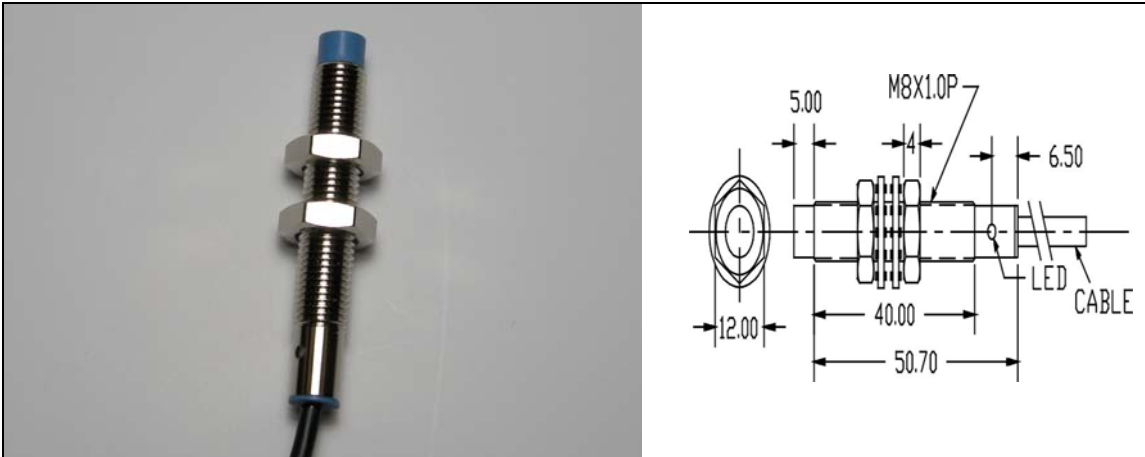


Switching Output	Model Number	Operating voltage	Response frequency	Connecting method
DC 3-Wire NPN NO	TLX-08N02E1-V	DC 10~30V	1000Hz	M12 Plug connector
DC 3-Wire NPN NC	TLX-08N02E2-V			
DC 3-Wire PNP NO	TLX-08P02E1-V			
DC 3-Wire PNP NC	TLX-08P02E2-V			





Switching Output	Model Number	Operating voltage	Response frequency	Connecting method
DC 3-Wire NPN NO	TLX-08N02E1-U	DC 10~30V	1000Hz	Cable with M12 plug
DC 3-Wire PNP NO	TLX-08P02E1-U			



Switching Output	Model Number	Operating voltage	Response frequency	Connecting method
DC 3-Wire NPN NO	TLX-08N02E1	DC 10~30V	1000Hz	Pre-wired 2M Cable
DC 3-Wire NPN NC	TLX-08N02E2			
DC 3-Wire PNP NO	TLX-08P02E1			
DC 3-Wire PNP NC	TLX-08P02E2			

Item	Specifications
Standard sensing object	Iron, 8×8×1 mm
Sensing distance	2mm
Installation	Unshielded
Load current	≤ 100mA
Operation indicator	Red LED
Circuits protection	Reversed polarity & Short circuit protection
Enclosure protection	IEC IP67
Ambient temperature & humidity range	Operating : -25 ~ 70°C / RH 35 ~95% (with no icing or condensation)
Insulation resistance	50MΩ minimum. (at 500VDC) between current carry parts and case
Voltage with stand ability	1000VAC 50/60Hz for 1 minute between current carry parts and case
Vibration resistance	10 ~ 55Hz : 15mm double amplitude for 2 hours each in X,Y and Z directions
Shock resistance	500m/s <sup>2</sup> (50G approx) 10 times each in X,Y and Z directions
Housing material	Brass nickel-plated