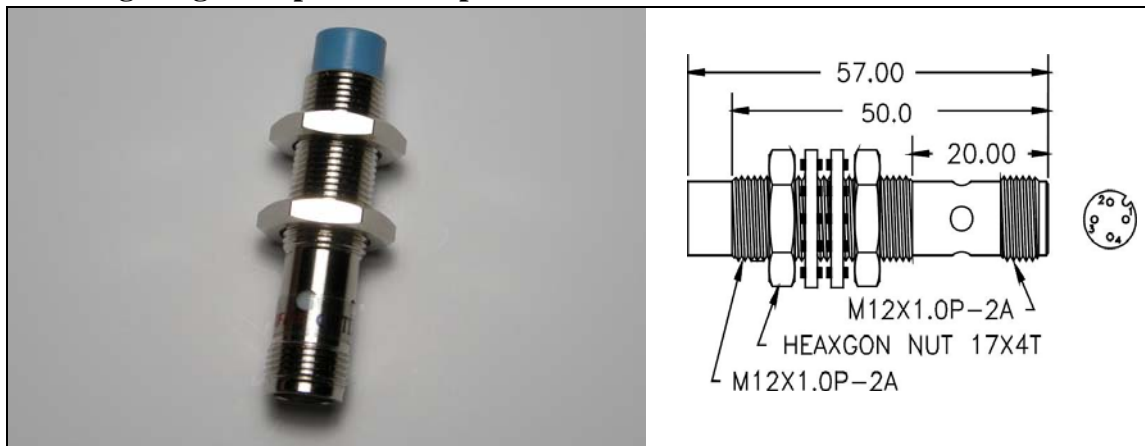
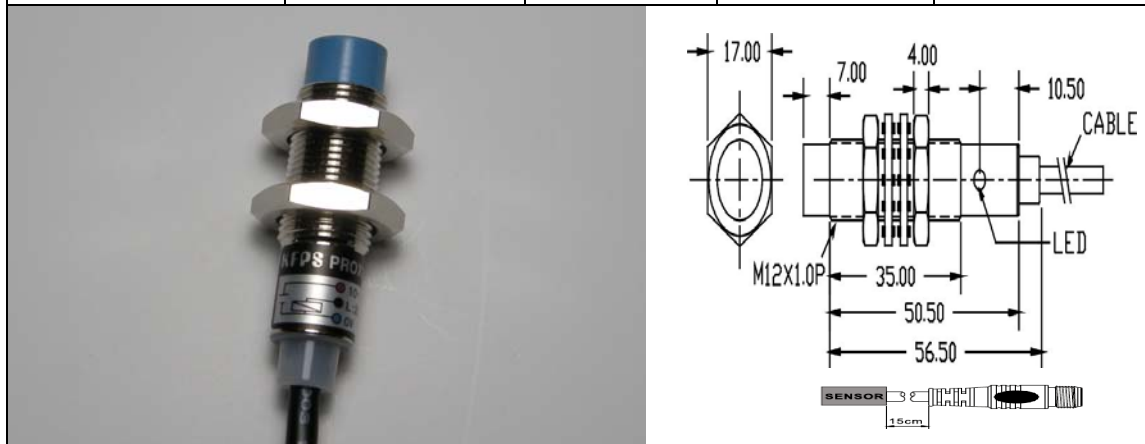


M12 Series

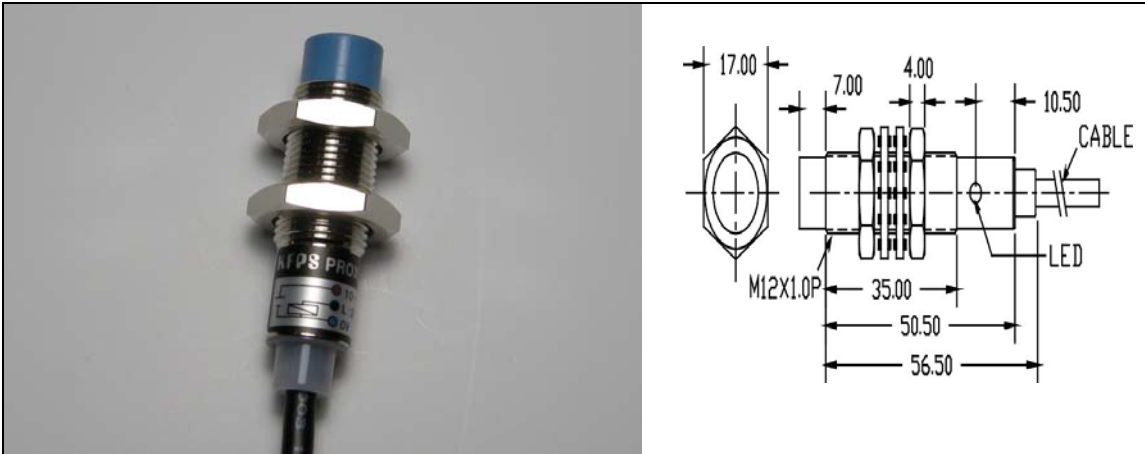
- 👍 **No-touch operation · high response frequency · wide application range.**
- 👍 **Reverse polarity and Swapped signal wires protection.**
- 👍 **High-intensity LED for sending indication.**
- 👍 **Good environmental resistance · all products are CE approved**
- 👍 **High degree of protection up to IP67**



Switching Output	Model Number	Operating voltage	Response frequency	Connecting method
DC 3-Wire NPN NO	TLX-12N04E1-V	DC 10~30V	600Hz	M12 Plug connector
DC 3-Wire NPN NC	TLX-12N04E2-V			
DC 3-Wire PNP NO	TLX-12P04E1-V			
DC 3-Wire PNP NC	TLX-12P04E2-V			



Switching Output	Model Number	Operating voltage	Response frequency	Connecting method
DC 3-Wire NPN NO	TLX-12N04E1-U	DC 10~30V	600Hz	Cable with M12 plug
DC 3-Wire NPN NC	TLX-12N04E2-U			
DC 3-Wire PNP NO	TLX-12P04E1-U			
DC 2-Wire NPN/PNP NO	XP-12D04E1-U			
AC 2-Wire SCR NO	XP-12A04E1-H	AC 24~250V	25Hz	
AC 2-Wire SCR NC	XP-12A04E2-H			



Switching Output	Model Number	Operating voltage	Response frequency	Connecting method
DC 3-Wire NPN NO	TLX-12N04E1	DC 10~30V	600Hz	Pre-wired 2M Cable
DC 3-Wire NPN NC	TLX-12N04E2			
DC 3-Wire PNP NO	TLX-12P04E1			
DC 3-Wire PNP NC	TLX-12P04E2			
DC 2-Wire NPN/PNP NO	XP-12D04E1			
AC 2-Wire SCR NO	XP-12A04E1	AC 24~250V	25Hz	
AC 2-Wire SCR NC	XP-12A04E2			

Item	Specifications
Standard sensing object	Iron, 12×12×1 mm
Sensing distance	4mm
Installation	Unshielded
Load current	DC 3-Wire Type : 0 ~ 200mA DC 2-Wire Type : 3 ~ 100mA AC 2-Wire Type : 5 ~ 300mA
Operation indicator	Red LED
Circuits protection	Reversed polarity & Short circuit protection
Enclosure protection	IEC IP67
Ambient temperature & humidity range	Operating : -25 ~ 70°C / RH 35 ~95% (with no icing or condensation)
Insulation resistance	50MΩ minimum. (at 500VDC) between current carry parts and case
Voltage with stand ability	1000VAC 50/60Hz for 1 minute between current carry parts and case
Vibration resistance	10 ~ 55Hz : 15mm double amplitude for 2 hours each in X,Y and Z directions
Shock resistance	500m/s ² (50G approx) 10 times each in X,Y and Z directions
Housing material	Brass nickel-plated