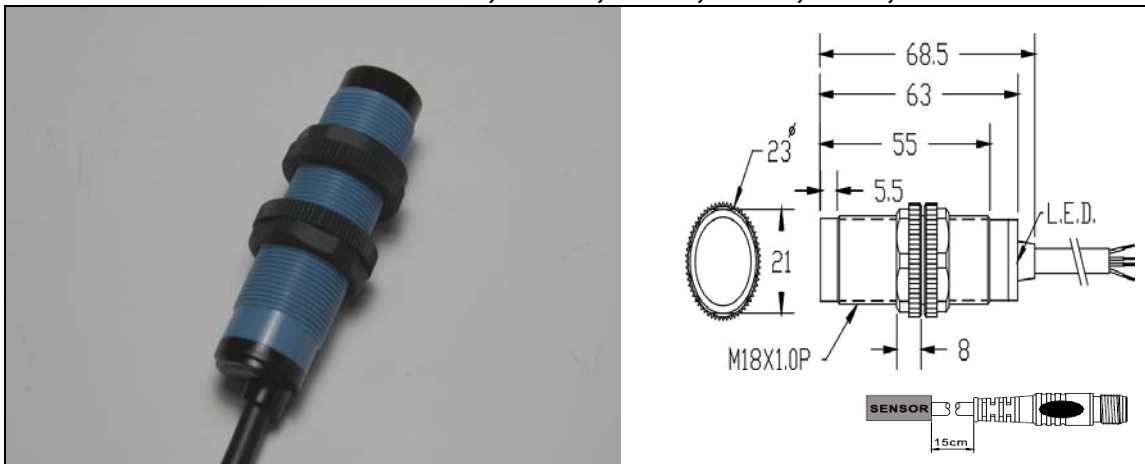
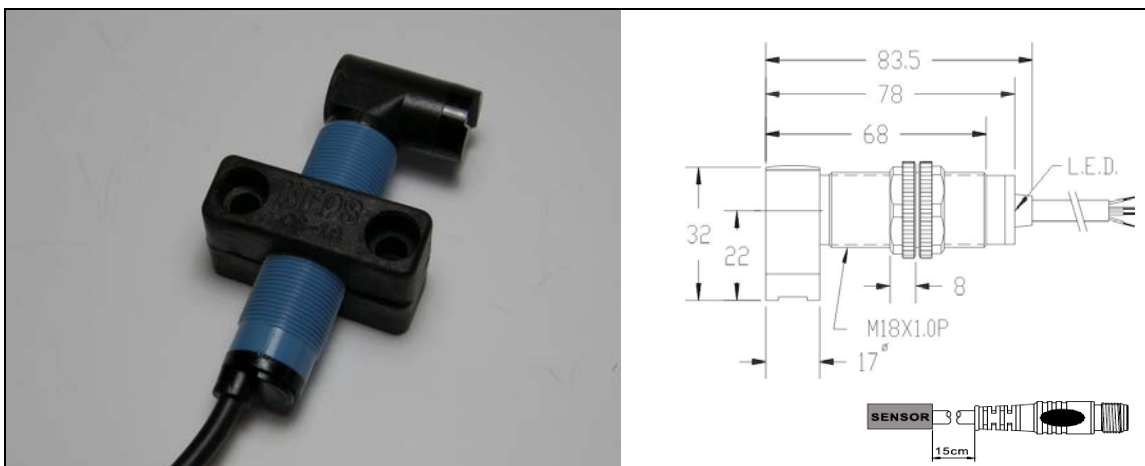


XP-E4 Series

- 👍 **Exclusive innovation of 4 in 1 output function in same machine**
- 👍 **Simplify machines inventory and stress thoroughly.**
- 👍 **The body is filling with resin, the structure protection reaches IEC IP67 standard at water proof, oil resistance, shock resistance, insulation resistance, impact resistance and excellent tolerance at environment.**
- 👍 **CENELEC standard size M18 specification, easy installation.**
- 👍 **Available with Horizontal type and Vertical type.**
- 👍 **Various detection distance, 10 cm, 15cm, 30cm, 1.5m, 10m etc.**



Model number	Sensing method	Sensing distance	Operating voltage	Connecting method
XP-SP10ME4	Through-beam	10M	DC 10~30V ripple ≤ 10%	Pre-wired 2M Cable
XP-SP10ME4-U				Cable with M12 plug
XP-SR200E4	Retro-reflective	1.5M		Pre-wired 2M Cable
XP-SR200E4-U				Cable with M12 plug
XP-CR30E4	Diffuse-reflective	30cm		Pre-wired 2M Cable
XP-CR30E4-U				Cable with M12 plug
XP-CR10E4		10cm		Pre-wired 2M Cable
XP-CR10E4-U				Cable with M12 plug



Model number	Sensing method	Sensing distance	Operating voltage	Connecting method
XP-SP10MSE4	Through-beam	10M	DC 10~30V ripple \leq 10%	Pre-wired 2M Cable
XP-SP10MSE4-U				Cable with M12 plug
XP-SR200SE4	Retro-reflective	1.5M		Pre-wired 2M Cable
XP-SR200SE4-U				Cable with M12 plug
XP-CR30SE4	Diffuse-reflective	30cm		Pre-wired 2M Cable
XP-CR30SE4-U				Cable with M12 plug
XP-CR15SE4		15cm		Pre-wired 2M Cable
XP-CR15SE4-U				Cable with M12 plug

Item	Specifications
Switching output	NPN&PNP · NO&NC
Response time	< 5ms
Load current	\leq 200mA
Light source	Infraed LED
Operation indicator	Red LED
Circuits protection	Reversed polarity & Short circuit protection
Enclosure protection	IEC IP67
Ambient temperature & humidity range	Operating : -20 ~ 55°C / RH 35 ~85% (with no icing or condensation)
Ambient illumination	Lamplight < 3000 Lux / Sunlight < 10000 Lux
Housing material	Case : ABS / Lens : Acrylic
Accessories	Mounting bracket · Nuts · Reflector(only for Retro-reflective)