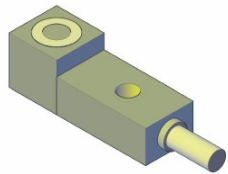
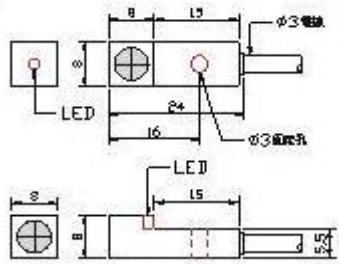
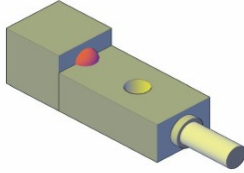
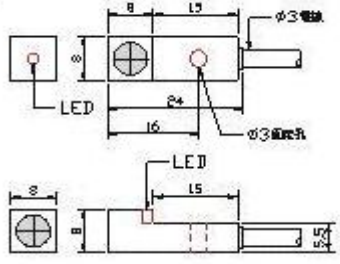


XS Series

- 👍 **Long-distance detection at up to 2.5mm**
- 👍 **No-touch operation · high response frequency · wide application range.**
- 👍 **High-intensity LED for sending indication.**
- 👍 **Good environmental resistance · all products are CE approved**
- 👍 **High degree of protection up to IP67**

 				
Switching Output	Model Number	Operating voltage	Response frequency	Sensing distance
DC 3-Wire NPN NO	XS-N08NS2.5E1	DC 12~24V	500Hz	2.5mm
DC 3-Wire PNP NO	XS-N08PS2.5E1			
DC 2-Wire NPN/PNP NO	XS-N08DS2.5E1			

 				
Switching Output	Model Number	Operating voltage	Response frequency	Sensing distance
DC 3-Wire NPN NO	XS-N08N2.5E1	DC 12~24V	500Hz	2.5mm
DC 3-Wire PNP NO	XS-N08P2.5E1			

Item	Specifications
Standard sensing object	Iron, 15×15×1 mm
Installation	Unshielded
Load current	0 ~ 100mA

Operation indicator	Yellow LED
Circuits protection	Short circuit protection
Enclosure protection	IEC IP67
Ambient temperature & humidity range	Operating : -25 ~ 70°C / RH 35 ~85% (with no icing or condensation)
Housing material	PBT
Connecting method	Pre-wired 2M Cable